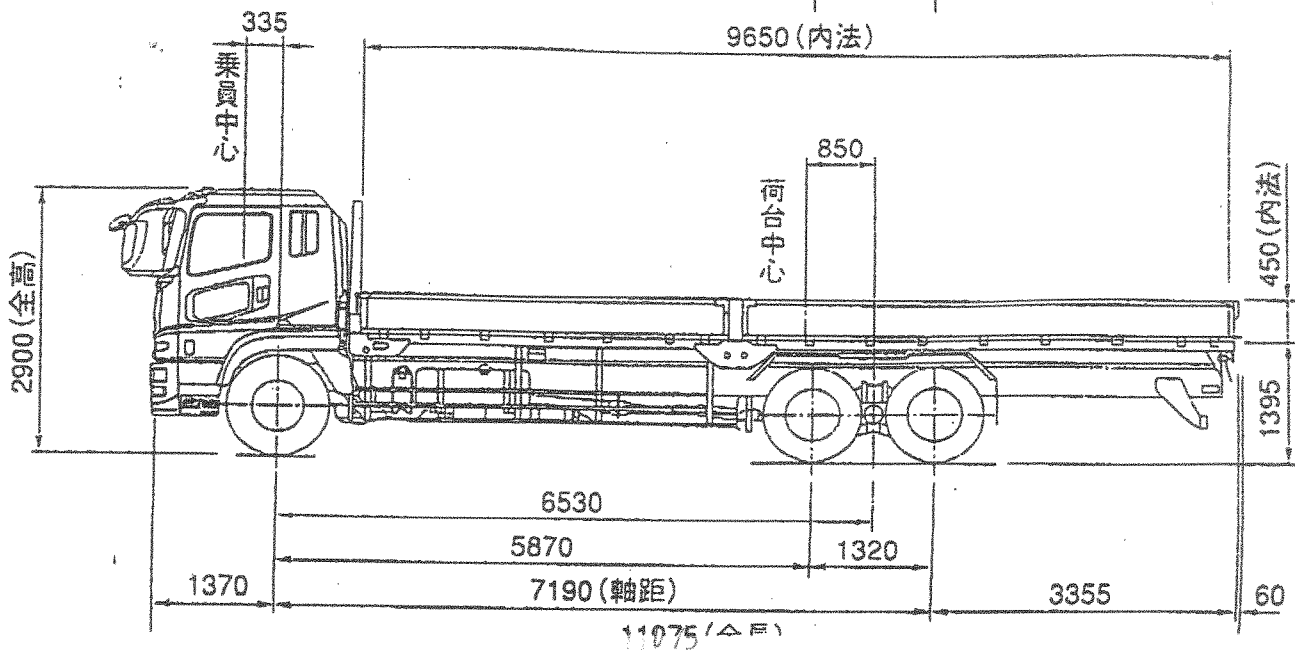
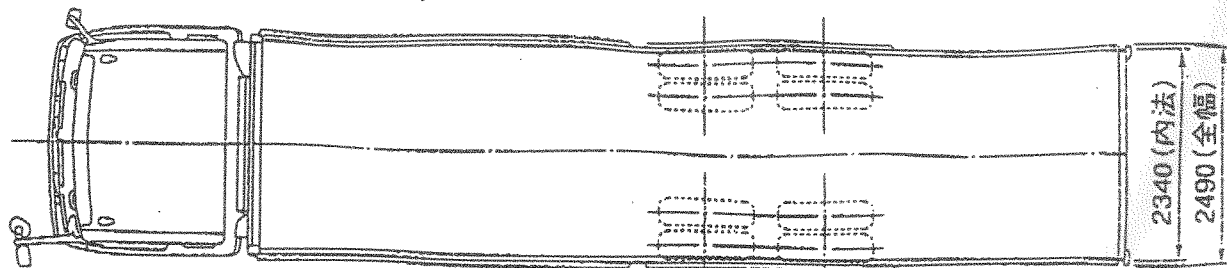


FU50JU2 (4323 7/17°)



8730.8861

